

# Ultra miniature regulator

## < RG3.NR-50-M5 >



### Features

#### ● Thumb-sized & Light weight

- Height: 42.6mm Space saving
- 23g (0.055 lbs.), made of resin

#### ● Superior pressure characteristics

- Exerts force in regions of 5L/min or less in flow rate

### Applications

- Medical Application
- Analysis equipment
- Industrial use
- Small console, etc.



### Specifications

Fluid	Air
Set pressure range(kPa)	50 MAX.
Primary pressure range (kPa)	200 MAX.
Temperature(°C)	5 ~ 50
Port size	M5×0.8
Weight(g)	23

< Contact >



**FUJIKURA COMPOSITES**

TOC East 10F, 3-5-7 Ariake, Koto-ku, Tokyo, Japan 1350063  
E-mail: seigyo.toiawase.en@fc.fujikura.co.jp

Web: <https://www.fujikura-control.com/english>

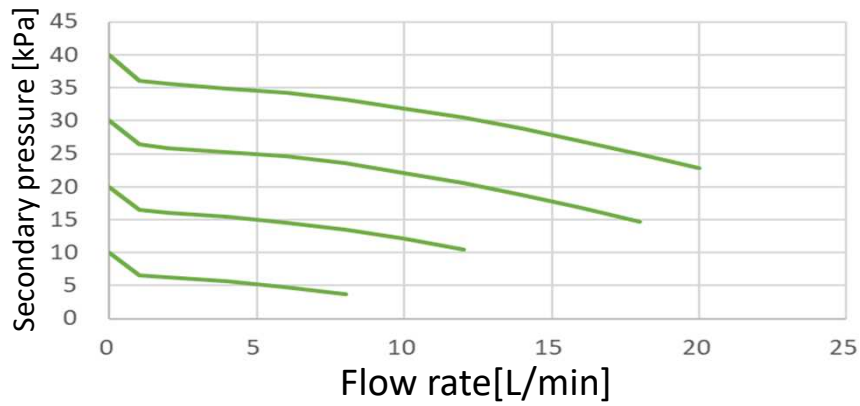
Founded: 1901

Sales: \$281 million US dollar (2023 March, consolidated)

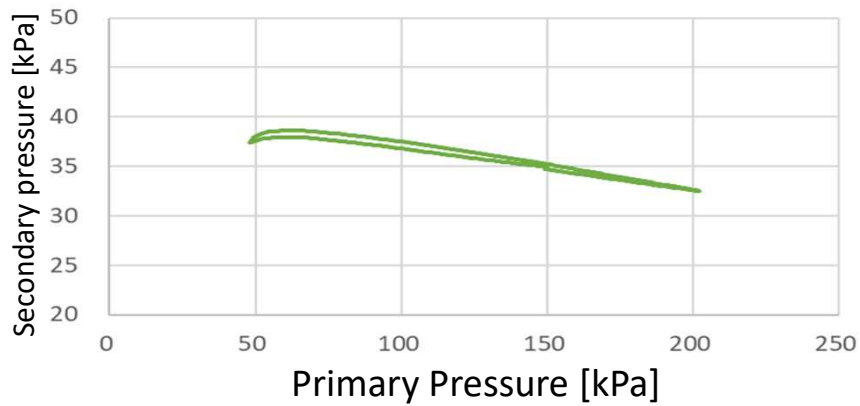
ISO certified: 9001, 14001, 13485

## Characteristic

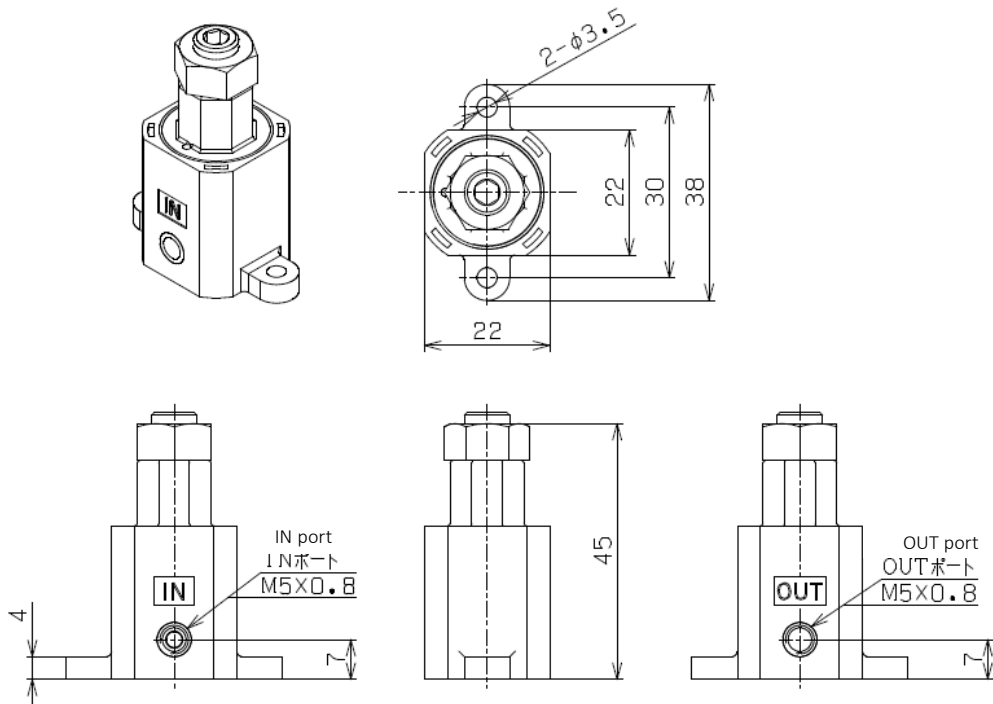
Flow characteristics [Primary pressure: 150 kPa]



Pressure characteristics [Flow rate: 5L/min]



## Dimensions



< Contact >



**FUJIKURA COMPOSITES**

TOC East 10F, 3-5-7 Ariake, Koto-ku, Tokyo, Japan 1350063  
E-mail: seigyo.toiwase.en@fc.fujikura.co.jp

Web: <https://www.fujikura-control.com/english>  
Founded: 1901

Sales: \$281 million US dollar (2023 March, consolidated)  
ISO certified: 9001, 14001, 13485