



"FRC" series

Deflector cap (low pressure air relief) model.



■ Features

- High precision cracking performance, high sealability.
- Deflector cap controls direction of blow-out when it reliefs.
- In exposure use environment, FRC reduce the invasion of foreign substance into valve .
- Cracking pressure's setting is done before delivering.



■ Applications

- Machine Tools : Milling machine, NC lathe, laser processing machine etc.
- Industrial furnace : General industrial furnace, heating furnace, vacuum furnace, etc.
- Medical : Endoscope washing device, oxygen concentrator, anesthesia machine etc.
- Analysis equipment: Measurement equipment, component gas analysis, gas analyzer etc.
- Battery : Household fuel cell, secondary battery, gas engine etc.
- Water (liquid) treatment: Pure water production, pure water recycling.
- Gas generator related: Compressor, compact pressure vessel, various gas generator etc.
- Others: Oxygen capsule, gasoline measuring instrument, forklift etc.

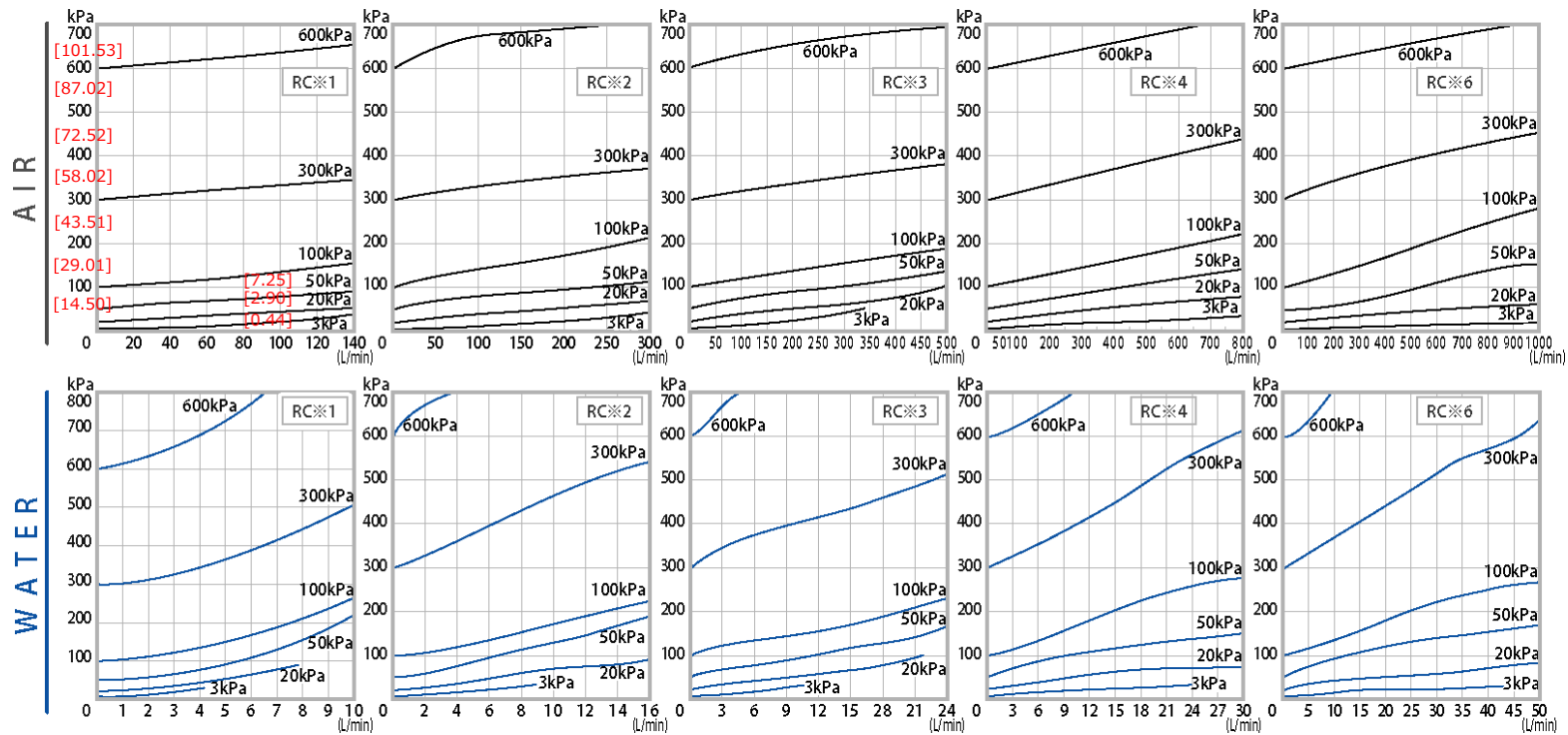
■ Specification

Pipe port	1/4 ~ 1-1/4 (In R)	Cracking Pressure kPa[psi]	30~1080 [4.35 ~156.64] ※Port size 1/8's pressure range is 30~970kPa [4.35~140.69psi]
Body material	Brass / SUS316	Pressure Resistance MPa[psi]	1.62 [234.96]
Seal material	FKM(Standard)	Operating temperature range °C[°F]	Pursuant to seal material
Cap material	Aluminum alloy		
Comment	<ul style="list-style-type: none"> ■ In case of mounting, pipe port is upward. ■ Brass bodies are nickel plating. 		

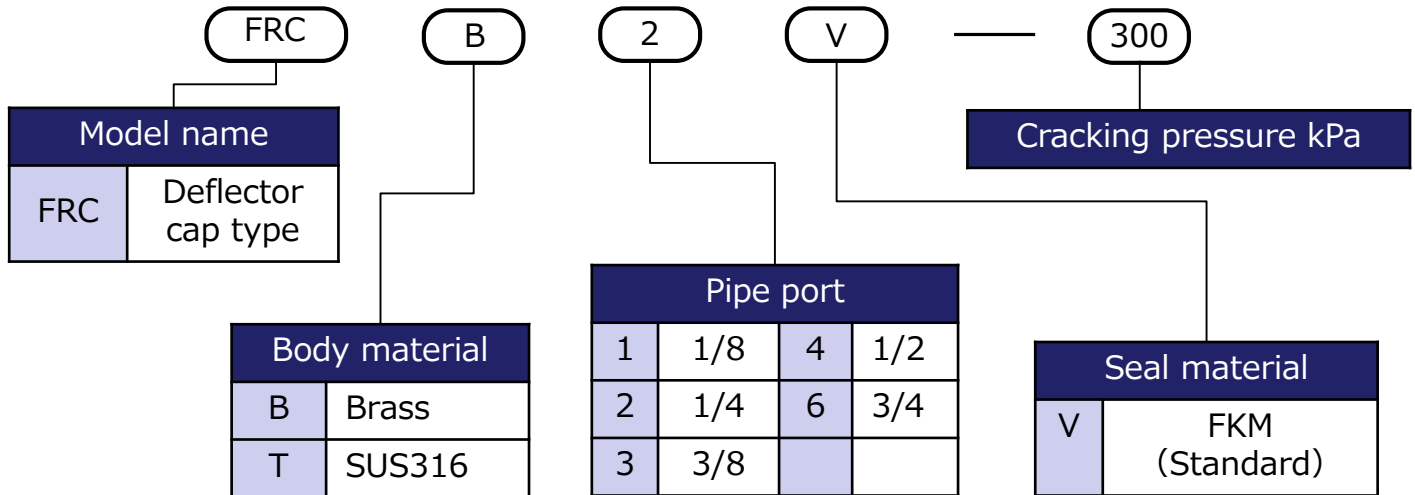


FUJIKURA COMPOSITES

Characteristic



Model designation



Caution
Please order setting pressure at kPa.

Example) In case of 0.05MPa(50kPa) < 50 >
In case of 1MPa(1000kPa) < 1000 >

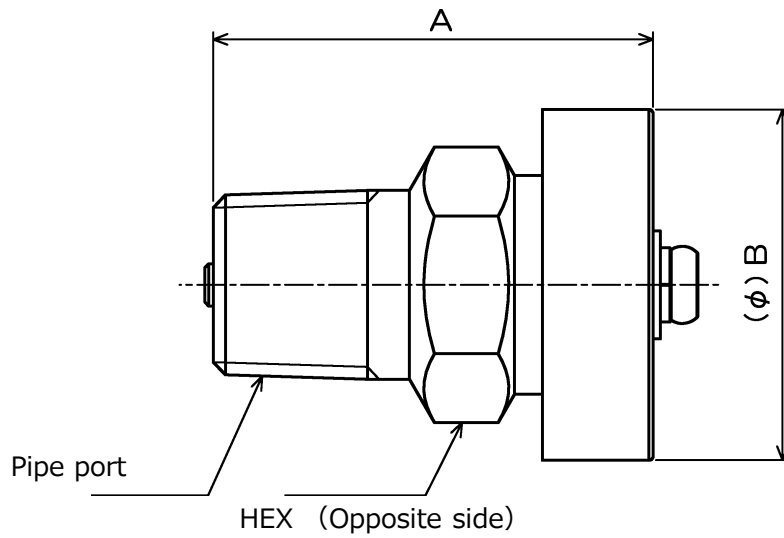
※Please inquire about other materials.

※When operating temperature ranges are more than 100°C[212°F] or less or -20°C[-4°F], please contact us.



FUJIKURA COMPOSITES

■ Size



<mm> [inch]

Pipe port (R)	A	B	HEX (Opposite side)
1/8	<26.5> [1.04]	<18.0> [0.71]	<13.0> [0.51]
1/4	<32.0> [1.26]	<25.0> [0.98]	<17.0> [0.67]
3/8	<34.0> [1.34]	<32.5> [1.28]	<19.0> [0.75]
1/2	<45.8> [1.80]	<37.2> [1.46]	<26.0> [1.02]
3/4	<53.4> [2.10]	<37.2> [1.46]	<29.0> [1.14]



FUJIKURA COMPOSITES

Contact us

Control Equipment

Head office: TOC Ariake East Tower 10F, 3-5-7 Ariake,
Koto-ku, Tokyo, Japan 135-0063

TEL +81-3-3527-8573

E-mail: seigyotoiawase.en@fc.fujikura.co.jp

URL: <https://www.fujikura-control.com/>