



FUJIKURA COMPOSITES

“VC” series



Low pressure / low pressure cracking type resin check valve.
Corresponds to compressed air and liquid(water).

■ Features

- High precision cracking performance ,high sealability.
- Small and light design is ideal for fluid that exhaust to outside.
- Various port sizes.
- Cracking pressure’s setting is done before delivering.



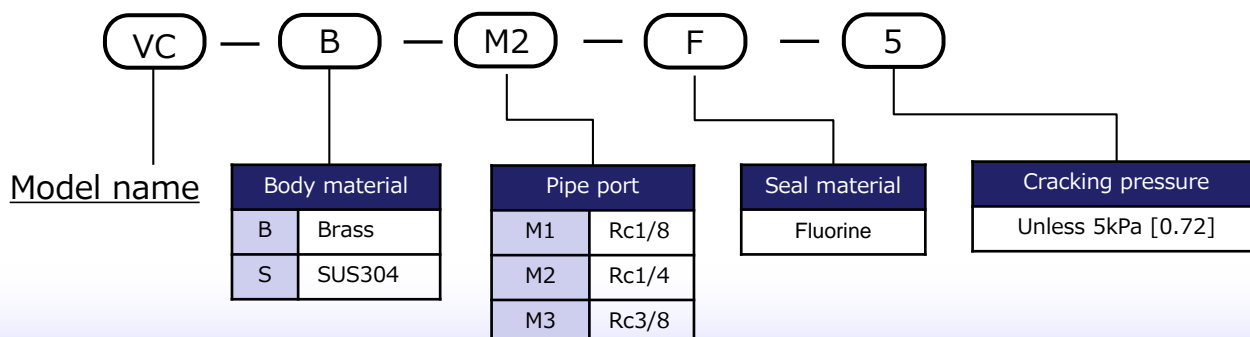
■ Applications

- Machine Tools : Milling machine, NC lathe, laser processing machine etc.
- Industrial furnace : General industrial furnace, heating furnace, vacuum furnace, etc.
- Medical : Endoscope washing device, oxygen concentrator, anesthesia machine etc.
- Analysis equipment: Measurement equipment, component gas analysis, gas analyzer etc.
- Battery : Household fuel cell, secondary battery, gas engine etc.
- Water (liquid) treatment: Pure water production, pure water recycling.
- Gas generator related: Compressor, compact pressure vessel, various gas generator etc.
- Others: Oxygen capsule, gasoline measuring instrument, forklift etc.

■ Specification

Model name		VC
Cracking pressure	kPa[psi]	Unless 5[0.72]
Body material		C3604 / SUS304
Operating temperature range	℃[°F]	0~60 [32~140](No freezing)
Pipe port	Rc	1/8, 1/4, /8

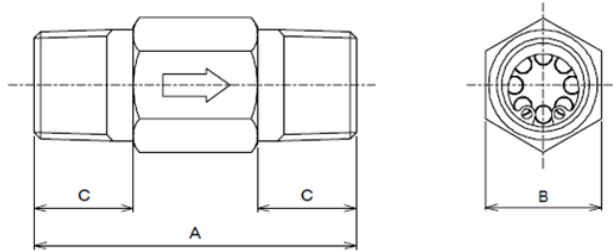
■ Model designation





FUJIKURA COMPOSITES

■ Size

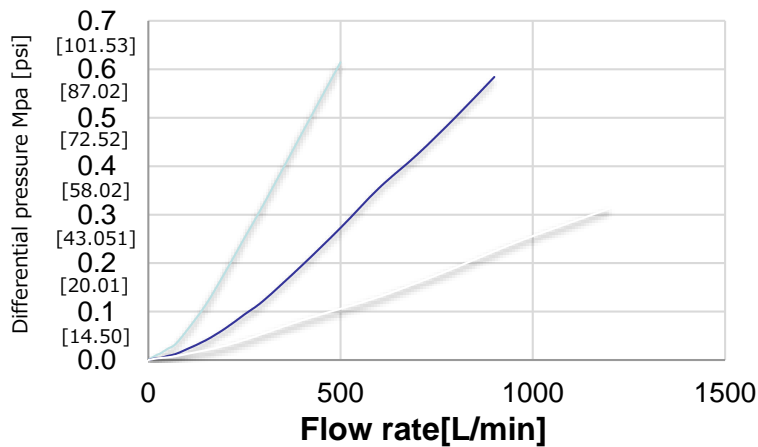


Size	Pipe port(R)	A	B	C
1	1 / 4	<34> [1.34]	<12> [0.47]	<8> [0.31]
2	3/8	<39> [1.54]	<14> [0.55]	<14> [0.55]
3	1/2	<42> [1.65]	<17> [0.67]	<13> [0.51]

■ Characteristic

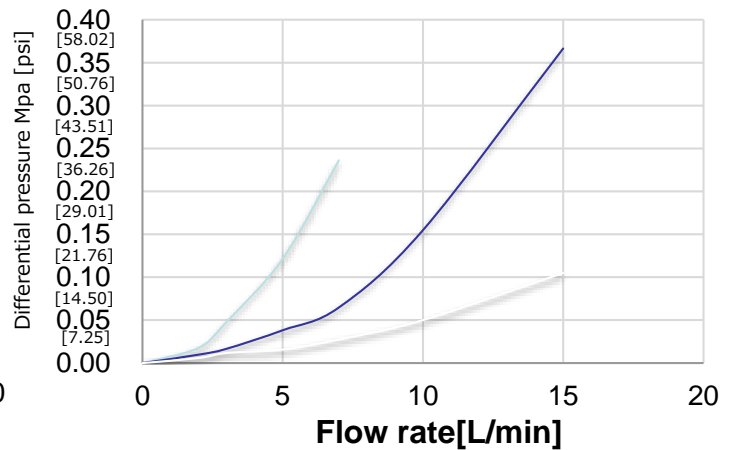
Working fluid : Air

— 1/8 — 1/4 — 3/8



Working fluid : Water

— 1/8 — 1/4 — 3/8



FUJIKURA COMPOSITES

Contact us

Control Equipment

Head office: TOC Ariake East Tower 10F, 3-5-7 Ariake,
Koto-ku, Tokyo, Japan 135-0063

TEL +81-3-3527-8573

E-mail: seigyo.toiawase.en@fc.fujikura.co.jp

URL: <http://www.fujikura-control.com/>