



FUJIKURA COMPOSITES

“RS-KA” series

Clean room

Pressure regulators for clean room, and servo-balanced system comprising rolling diaphragm and measuring capsule provides .

■ Features

- The parts are made of stainless materials and fluoric rubber, and the other parts are all electroless nickel plated so that very little dust is caused.
- Manifold pipe fitting is available.
- Exhaust relief air and bleed air out of clean room is available to exhaust by connecting exhaust pipe to relief port and bleed port.
- Highly accurate pressure control with sensitivity 0.1%F.S. repeatability $\pm 0.1\%$ F.S.



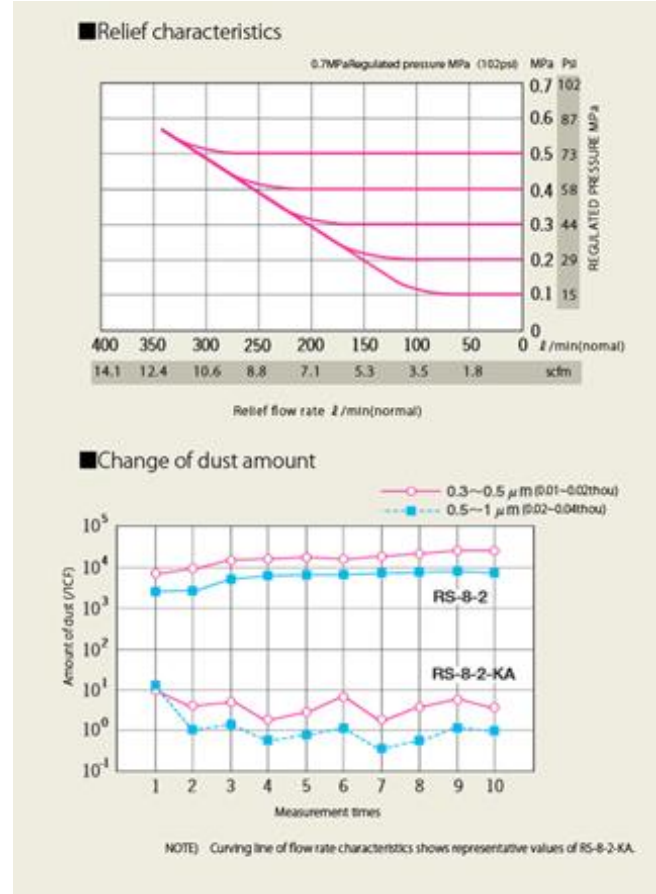
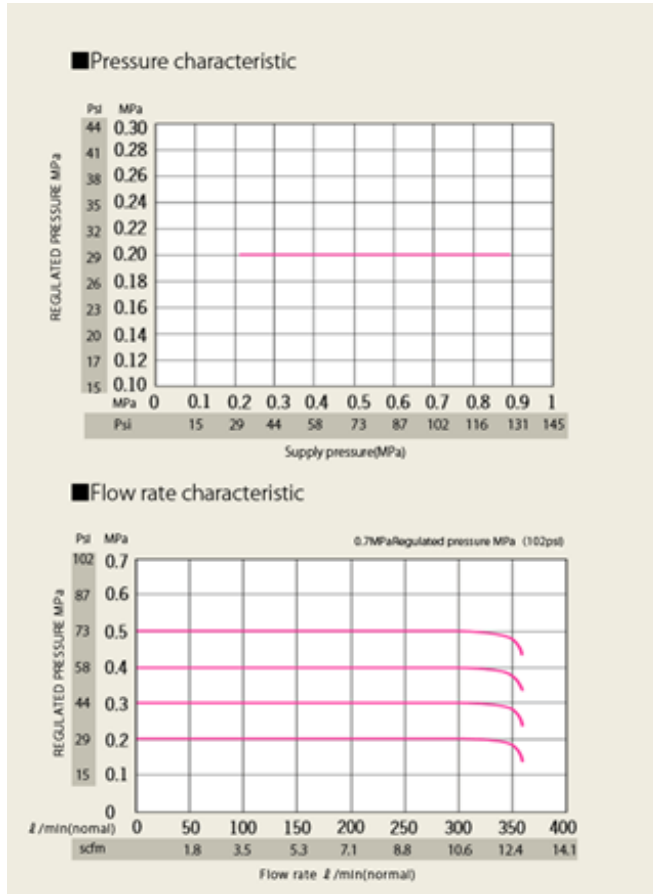
■ Specification

Model name		RS-4-□-KA	RS-8-□-KA
Working fluid		Clean compressed air	
Set pressure range	MPa[psi]	0.014 ~ 0.42 [2.0 ~ 61]	0.014 ~ 0.84 [2.0 ~ 122]
Supply pressure range	MPa[psi]	1 [145] Max	
Relief function		Incorporated	
Repeatability	% F.S.	Less than ± 0.1	
Sensitivity	% F.S.	Within 0.1	
Air consumption	ℓ /min(ANR) [scfm]	Within 3.7 [0.13]	
Operating temperature	°C[°F]	5 ~ 60 [41 ~ 140]	
Pipe port	Rc	1/4, Manifold	
Gauge port	Rc	1/4	
Bracket		Standard equipment (excluding manifold)	
Weight	kg[pound]	0.41 [0.9]	

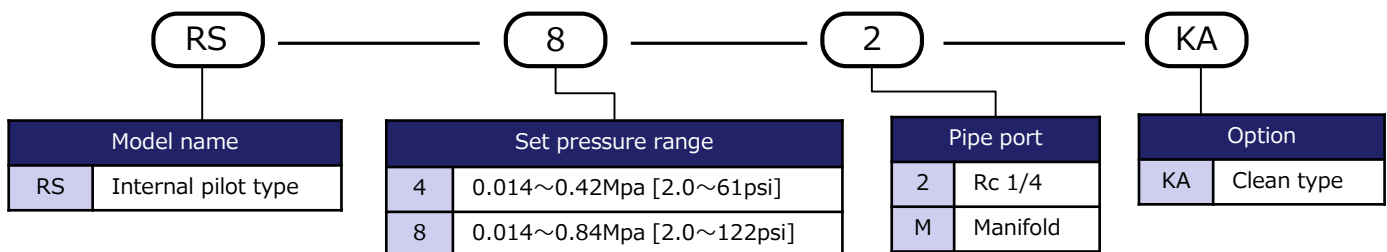


FUJIKURA COMPOSITES

■ Characteristic



■ Model designation



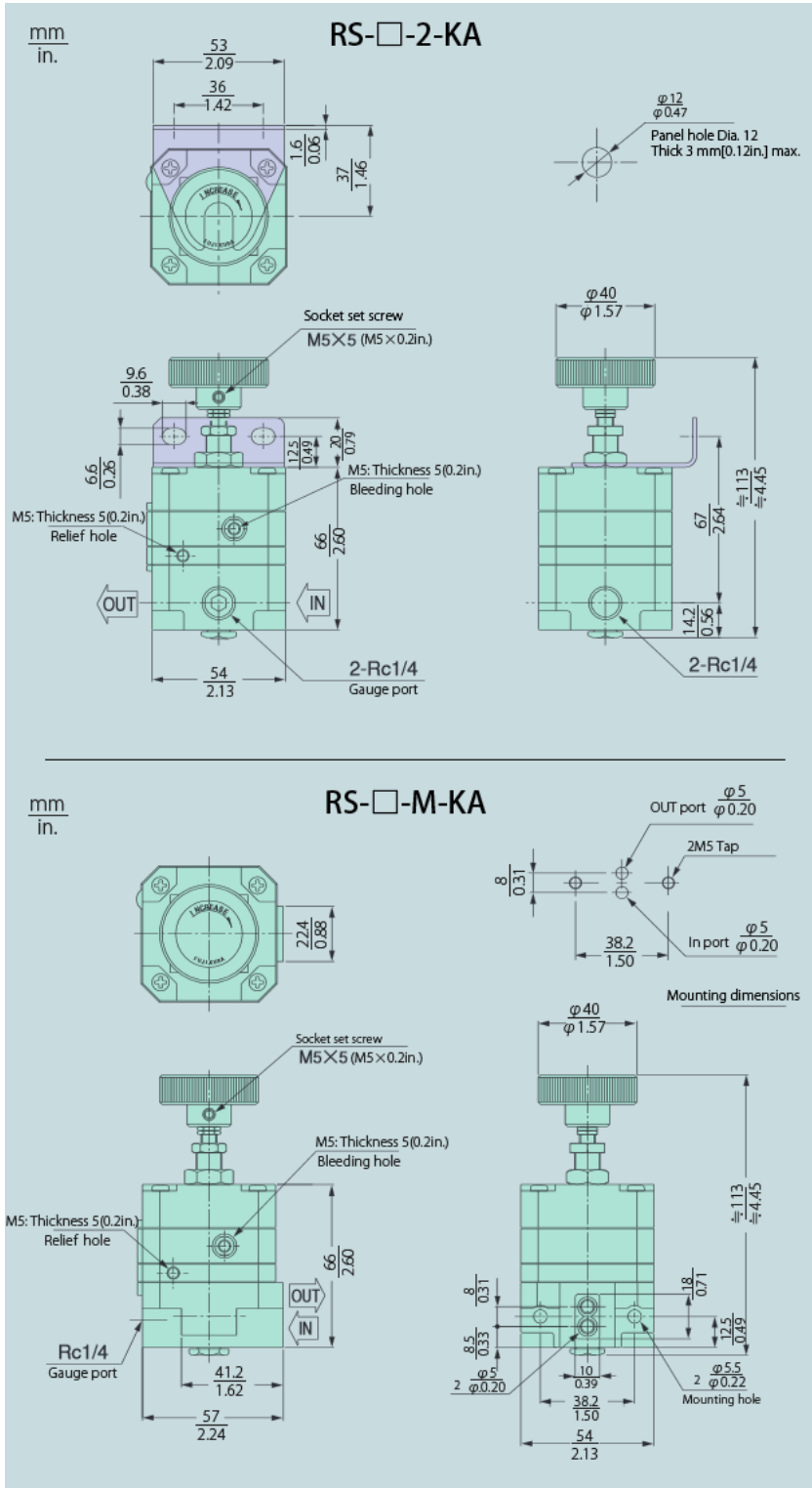
■ Applications

- "RS-KA series" is ideal for precision pressure control in clean room.

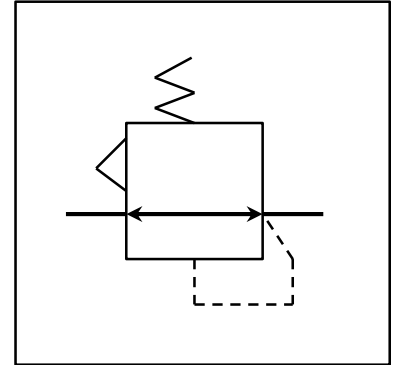


FUJIKURA COMPOSITES

■ Size



■ JIS code



**FUJIKURA
COMPOSITES**

Contact us

Control Equipment

Head office: TOC Ariake East Tower 10F, 3-5-7 Ariake,
Koto-ku, Tokyo, Japan 135-0063

TEL +81-3-3527-8573

E-mail: seigyotoiawase.en@fc.fujikura.co.jp

URL: <http://www.fujikura-control.com/>